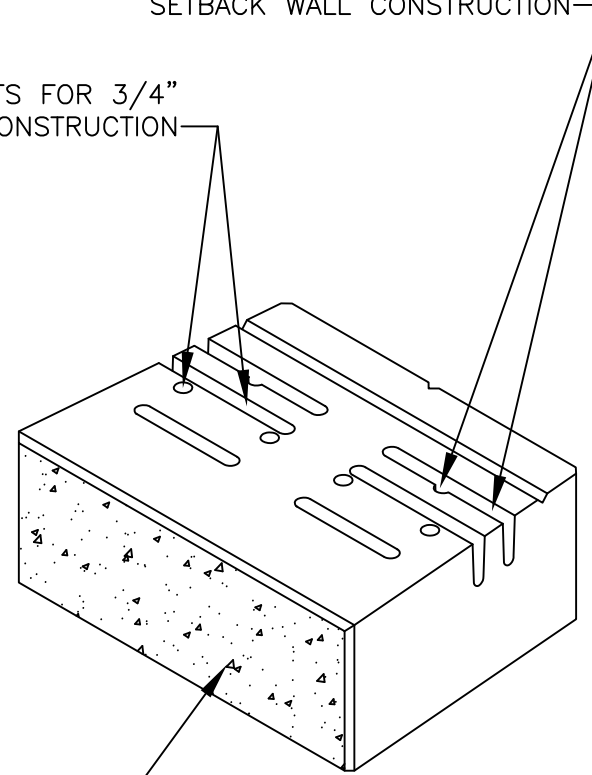


PIN HOLES AND SLOTS FOR 3/4" SETBACK WALL CONSTRUCTION

PIN HOLES AND SLOTS FOR 1/4" SETBACK WALL CONSTRUCTION

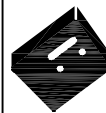


## VERSA-LOK NEAR VERTICAL STANDARD UNIT

UNIT DIMENSIONS

SCALE: NONE

THESE PRELIMINARY DETAILS ARE INTENDED AS AN AID IN DESIGNING ATTRACTIVE, DURABLE RETAINING WALLS WITH VERSA-LOK UNITS. FINAL DETERMINATION OF THE SUITABILITY OF ANY INFORMATION OR MATERIAL FOR THE USE CONTEMPLATED, AND ITS MANNER OF USE, IS THE SOLE RESPONSIBILITY OF THE USER. A FINAL PROJECT SPECIFIC DESIGN SHOULD BE PREPARED BY A QUALIFIED, LICENSED, PROFESSIONAL ENGINEER.



**VERSA-LOK**<sup>®</sup>  
Retaining Wall Systems

(800)770-4525 fax(651)770-4089  
6348 Hwy36 Ste1, Oakdale, MN 55128 **Solid Solutions**<sup>™</sup>

VERSA-LOK STANDARD DETAILS

NEAR VERTICAL STANDARD UNIT

SCALE:	AS NOTED
DRAWN BY:	PDL
CHECKED BY:	
DATE:	11/2018
DWG. NO.	NEAR VERTICAL STANDARD UNIT